

Hub Unit, Redirection, Pump, Clutch Bearings

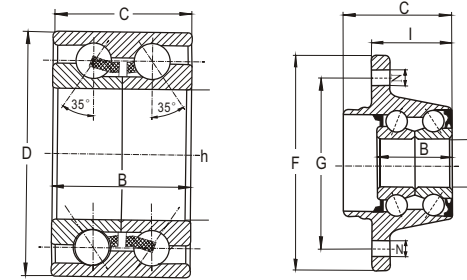
Hub Bearings	.....	411
Redirection Bearings	.....	414
Pump Bearings	.....	415
Clutch Bearings	.....	417



**Hub Bearings**

The main function of hub bearings is carrying load and guiding hub to rotate accurately. Hub bearings are very important components and they can carry both radial and axial loads. Hub bearing units are developed based on standard angular contact ball bearings and tapered roller bearings. It is light, compact and assembly well.

Hub bearings are widely used in automobiles.



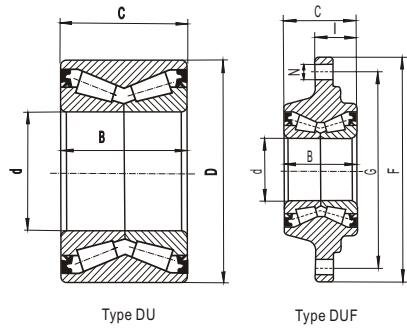
Type DAC

Type DACF

Bearing Designations	Boundary Dimensions			
	<i>d</i>	<i>D</i>	<i>B</i>	<i>C</i>
	mm			
DAC3006037	30	60	37	37
DAC3005526	30	55	26	26
DAC3406237	34	62	37	37
DAC3406637	34	66	37	37
DAC3406437	34	64	37	37
DAC3506437	35	64	37	37
DAC3506535	35	65	35	35
DAC3506637	35	66	37	37
DAC3506837	35	68	37	37
DAC3506633	35	66	33	33
DAC3906837	39	68	37	37
DAC3507234	35	72	34	34
DAC3707237	37	72	37	37
DAC3807038	38	70	38	38
DAC3807450	38	74	50	50
DAC3906837	39	68	37	37
DAC3907237	39	72	37	37
DAC4007537	40	75	37	37
DAC4808030	40	80	30.2	30.2
DAC4008240	40	82	40	40
DAC4007237	40	72	37	37
DAC4207639	42	76	39	39
DAC4208439	42	84	39	39
DAC4207537	42	75	37	37
DAC4208237	42	82	37	37
DAC4208236	42	82	36	36
DAC4308237	43	82	37	37
DAC4508237	45	82	37	37

Bearing Designations	Boundary Dimensions						
	<i>D</i>	<i>F</i>	<i>B</i>	<i>C</i>	<i>G</i>	<i>N</i>	<i>I</i>
	mm						
DACF2714873	27	148	55	73	114.3	12.5	57.5
DACF3012679	30	126	59	79	100	14	62.5
DACF3013666	30	136	40	66	100	12.1	54.5
DACF3112061	31	120	40	61	100	12	42
DACF3513774	35	137	45	74	110	12	49
DACF3614071	36	140	50	71	114.3	14	57
DACF3713964	37	139	45	64	120	12	45

hub bearings  
redirection bearings

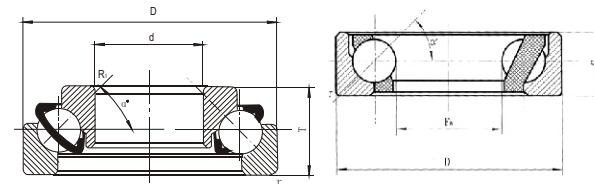


Type DU

Type DUF

Bearing Designations	Boundary Dimensions			
	<i>d</i>	<i>D</i>	<i>B</i>	<i>C</i>
	mm			
DU2505237	25	52	37	37
DU3506437	35	64	37	37
DU3906837	39	68	37	37
DU4207639	42	76	39	39
DU5008454	50	84	54	54

Bearing Designations	Boundary Dimensions						
	<i>D</i>	<i>F</i>	<i>B</i>	<i>C</i>	<i>G</i>	<i>N</i>	<i>I</i>
	mm						
DUF5515254	55	152	54	54	126	14	38.5
DUF5816762	58	167	62	62	140	14	41.2



Type 560000

Type KOW-560000

### Redirection Bearings

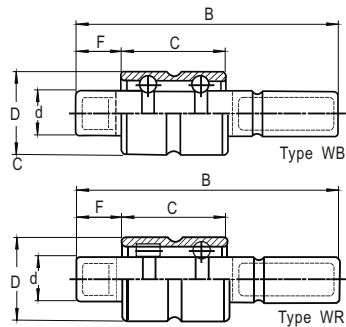
Because of the angle existing between the plate of ball center and the line of raceway contact point, the bearing can carry combined loads in radial and axial direction. In addition, the limited speeding is higher but loading capacity is less.

Bearing Designations	Boundary Dimensions				
	<i>d</i>	<i>D</i>	<i>T</i>	<i>r<sub>s</sub></i> min	<i>r<sub>1s</sub></i> min
	mm				
569304	20	47	16	1	1
567404X3	20	52	16	1	1.5
567404	20	52	15	1	1.5
569305	25	52	16	1.1	1
569305X2	25	52	15	1	1
567405X3	25	62	18	2	1
569306	30	60	18	1.1	2

Bearing Designations	Boundary Dimensions			
	<i>d</i>	<i>D</i>	<i>T</i>	<i>r<sub>s</sub></i> min
	mm			
KOW-5617/15.2	15.2	35	10.5	1.5
KOW-5617/19.8	19.8	38.1	7.9	1
KOW-5617/20.3TN1	20.3	44	12	1.5
KOW-5617/22.1TN1	22.1	48	13.5	1.5
KOW-5617/25.6	25.6	46	9	1
R7202BX1	15.2	38	11	0.6

### Pump Bearings

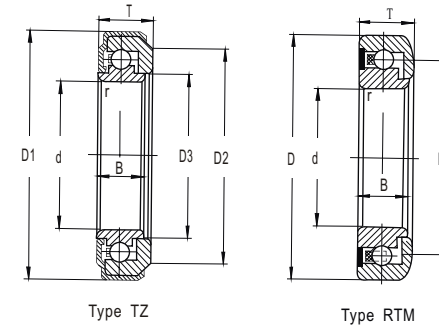
Pump bearings are good at carrying capacity and stiffness, and have light weight, high rotating precision, mass flow, long working life, reasonable structures and perfect reliability. The radial clearance is existed in this bearing. The lubricant with higher dropping point as well as better viscosity is used. In order to make oil lossless, the seal rings have radial contact seals with bigger interference.



Bearing Designations	Boundary Dimensions				
	D	C	B	F	d
	mm				
WB1024081	24	31.5	81	19.5	10
WB1224065	24	33.38	65.41	16	12.038
WB1224084-1	24	33.38	83.57	16.39	12.738
WB1226090	26	39	89.5	16.5	12
WB1226093-1	26	39	92.5	16.5	12
WB1226114	26	39	113.5	17.5	12
WB1630068	30	38.89	68.4	25	15.918
WB1730071	30	23	71.2	13.5	17.2
WB1630087C	30	38.89	86.5	13.5	15.918
WB1630092	30	38.89	92	16.5	15.918
WB1630098C	30	38.89	98	16	15.918
WB1630119C	30	38.89	119.3	37.6	15.918
WB1630102-2	30	38.89	101.5	17.5	15.918
WB1630109	30	38.89	109	27.31	16
WB1630106	30	38.89	106	26.11	16
WB1630122-4	30	38.89	122.17	33.88	15.918
WB1630136-2	30	38.89	136.4	39.1	15.918
WB1835124C	35	46	124.5	26.5	18
WB1835128	35	46	128	30	18
WB1835128C	35	46	128	30	18
WB1938145-1	38.1	53.975	145.796	44.704	18.961
WB1740136	40	46	136	26	19
WB1840123	40	46	123	23	19
WR1630102C	30	38.89	101.5	17.5	15.918
WR1630129-1	30	38.89	128	25.61	16
WR1530114	30	38.89	114	19.8	15
WR1635124	35	39	124	30	17.5
WR1635112	35	39	112	42	17.5
WR2040105C	40	42	105	20.5	20
WR2042115	42	46	115.5	26.5	20
WR2552143C	52	56	143	36	25

**Clutch Bearings**

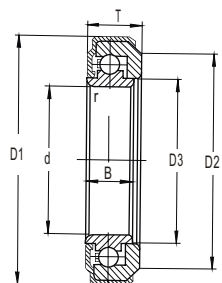
Clutch bearings belong to aligning bearings, this enable them to have capacity to reduce wearing, noise and temper rise caused by contacting with clapboard when rotating. They are with compact structure, small volume and light weight. Additionally, can work in good condition under inferior application.



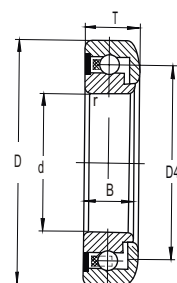
Bearing Designations	Boundary Dimensions						
	d	T	D <sub>1max</sub>	D <sub>2min</sub>	D <sub>3</sub>	B	r <sub>smin</sub>
	mm						
TZ3011	30	11	49	41	30.5	8.5	0.3
TZ3016	30	16	57	49	36	15.5	0.3
TZ3513	35	13	57	49	35.5	10.5	0.5
TZ3517	35	17	64	56	41	16.5	0.5
TZ4014	40	14	64	56	40.5	11	0.5
TZ4018	40	18	70	62	46	17	0.5
TZ4514	45	14	70	62	45.5	11	0.5
TZ4519	45	19	77	69	51	18	0.5
TZ5014	50	14	74	66	50.5	11	0.5
TZ5019	50	19	82	74	56	18	0.5
TZ5516	55	16	82	74	55.5	13	0.8
TZ5522	55	22	92	84	63	21	0.8
TZ6016	60	16	87	79	60.5	13	0.8
TZ6022	60	22	97	89	68	21	0.8
TZ6516	65	16	92	84	65.5	13	0.8
TZ6522	65	22	102	94	73	21	0.8
TZ7024	70	24	112	104	78	22.5	0.8
TZ7524	75	24	118	109	83	22.5	0.8
TZ8027	80	27	128	119	88	22.5	0.8

Bearing Designations	Boundary Dimensions						
	d	T	D <sub>1max</sub>	D <sub>2min</sub>	D <sub>3</sub>	B	r <sub>smin</sub>
	mm						
TZ8527	85	27	133	124	93	25.5	1
TZ7019	70	19	102	94	70.5	15.5	0.8
TZ7519	75	19	107	99	75.5	15.5	0.8
TZ8019	80	19	112	104	80.5	15.5	0.8
TZ8522	85	22	122	114	85.5	18.5	1

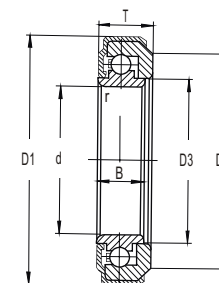
Bearing Designations	Boundary Dimensions					
	D <sub>s</sub>	d <sub>o</sub>	T <sub>o</sub>	H	T <sub>i</sub>	D <sub>o</sub>
	mm					
65NL57100F0	64.7	57	100	74.9	121.5	108
44CL3639F0	44	36	38.5	68	53.5	-



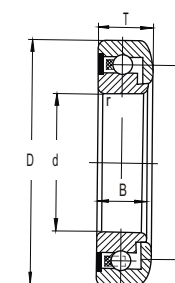
Type TZ



Type RTM



Type TZ

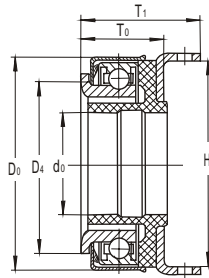


Type RTM

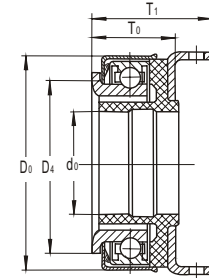
Bearing Designations	Boundary Dimensions					
	d	T	D	D <sub>3</sub>	B	r <sub>min</sub>
	mm					
TM3013	30	13	55	36	12.5	0.3
TM3514	35	14	62	41	13.5	0.5
TM4015	40	15	68	46	14	0.5
TM4516	45	16	75	51	15	0.5
TM5016	50	16	80	56	15	0.5
TM5518	55	18	90	63	17	0.8
TM6018	60	18	95	68	17	0.8
TM6518	65	18	100	73	17	0.8
TM7020	70	20	110	78	18.5	0.8
TM7520	75	20	115	83	18.5	0.8
TM8022	80	22	125	88	20.5	0.8
TM8522	85	22	130	93	20.5	1

Bearing Designations	Boundary Dimensions					
	D <sub>4</sub>	d	T	D <sub>max</sub>	B	r <sub>min</sub>
	mm					
38RTZ3013	38	30	13	49	8.5	0.3
46RTZ3315	46	33	15	60	13.5	0.5
44RTZ3515	44	35	15	57	10.5	0.5
48RTZ3816	48	38	15.5	67	14.5	0.5
50RTZ4016	50	40	16	64	11	0.5
55RTZ4516	55	45	16	70.5	11	0.5
59RTZ5016	59	50	16	74.5	11	0.5
62RTZ5321	62	53	21	84	19	0.8
65RTZ5519	65	55	19	82.5	13	0.8

Bearing Designations	Boundary Dimensions					
	D <sub>4</sub>	d	T	D	B	r <sub>min</sub>
	mm					
61RTM3518	61	35	18	70	14	0.6
50RTM4020	50	40	20	69.7	16	0.6
55RTM4518	55	45	17.5	74	15	0.6
62RTM5521	62	55	21	82	19	0.6



Type CT



Type CT

Bearing Designations	Boundary Dimensions							
	D <sub>1</sub>	D <sub>2</sub>	D <sub>2min</sub>	d <sub>0</sub>	T <sub>0</sub>	H	T <sub>1</sub>	D <sub>0</sub>
	mm							
45RWT2823F2	45.2	-	-	28	22.8	36.8	30	57
54RWT3338F2	54	-	-	33	37.5	44	47.5	74
50RWT3534F2	50	-	-	35	34	44	45	70
62RWT4437F2	62	-	-	44	36.5	53	51.5	84
WT3346F2	-	48	67	33	45.5	44	55.5	74
WT3540F2	-	56	78	35	39.5	53	51.5	84
WT4456F2	-	56	78	44	55.5	55.8	66	84
WT4855F2	-	67	90	47.5	55	86	71	90

Bearing Designations	Boundary Dimensions							
	D <sub>1</sub>	d <sub>1</sub>	d <sub>2</sub>	d <sub>0</sub>	T <sub>0</sub>	H	T <sub>1</sub>	D <sub>0</sub>
	mm							
44RCT2823F0	44	-	-	28	22.5	44.5	28.5	61.5
47RCT2921F0	47	-	-	29.1	20.7	37.5	34	61.8
47RCT3020F0	47	-	-	30	19.5	45	24.5	63
47RCT3123F0	47	-	-	31	23	53	37	70
54RCT3232F0	54	-	-	32	32	46	40	75
47RCT3322F1	47	-	-	33	22.3	70.4	33.5	74
54RCT3430F0	54	-	-	34	29.5	46	37	75.4
50RCT3530F0	50	-	-	35	30	44.2	41	76
54RCT3627F1	54	-	-	36	27	77.2	42	81.5
58RCT3731F1	58	-	-	37	31	56	43	90
62RCT4437F2	62	-	-	44	36.5	53	51.5	97.6
CT3346F2	-	48	62	33	45.5	43.8	55.5	75
CT4860F2	-	67.5	92	47.5	59.5	86	76	117.6
CT5554F2	-	67.5	92	55	53.5	83	83.5	117.6
CTY3026F0	-	37	47.2	30	25.5	78.7	45	67.5
CTY3414F0	-	40.5	60	34	13.5	72.5	31.5	92.5
CTY3524F0	-	37	60	34.5	23.7	46.2	32	63.5
NT3414F1	-	36.5	52.5	34	14.2	72.2	24	94.5
NT4859F2	-	67.5	92	47.5	59	86	75	114
NT5554F2	-	71	100	55	53.5	83	83.5	120
NT5737F2	-	57	95	57	37	74.9	56	102